

# KLICK FAST CONNECTOR

This system is a user-friendly and robust way to temporarily attach a piece of equipment or electronic device to clothing as well as other surfaces.

A KLICK FAST Connector, attached to a device or holder, slides and locks easily into any KLICK FAST Dock located anywhere on the body, vehicle dashboards, lockers and bicycle handlebars. Once docked, the device can be rotated to any of seven ratcheted positions. It undocks quickly by rotating it to its inverted position and sliding it free of the Dock.





Central KLICK FAST Dock

## T2-M20

**Updated  
Magnetic Mount**  
with Central Dock.  
Fully assembled  
with our choice of  
magnets.



Central KLICK FAST Dock

### The Updated KLICK FAST Magnetic Mount features:

- A low profile - keeping the attached device as close as possible to the body;
- A small footprint - enabling it to be as discreet as possible beneath the device;
- In-built spacing between both mouldings - allowing fingers to slot in and easily detach the front and back plates from each other;
- A lightweight design;
- Two assembly-free, single mouldings that can be supplied with or without high-strength magnets (magnets are supplied already fitted)

# KLICK FAST CROCODILE GARMENT CLIP -



**T2-M21**  
Crocodile Garment Clip.



The Crocodile Garment Clip featuring a KLIICK FAST Dock at the front can be attached to shirt epaulettes, shirt plackets, pockets, belts, jacket zip openings and skirt/trouser waistbands. It is an easy and quick way to attach a KLIICK FAST Dock to garments for secure, hands-free carrying of KLIICK FAST-enabled portable devices. The KLIICK FAST Crocodile Garment Clip features:

- A small footprint - enabling it to be as discreet as possible beneath the device and allowing it to fit small as well as large pockets;
- A slim profile - keeping the attached device as close as possible to the body;
- A textured, non-slip surface on its upper front and rear to enable fingers to gain a firm grip when squeezing the clip open.

# KLICK FAST CROCODILE GARMENT CLIP



Body-worn video camera angled downwards without Anti-Tilt Attachment fitted to the Crocodile Garment Clip



Body-worn video camera angled straight ahead with Anti-Tilt Attachment fitted to the rear of the Crocodile Garment Clip and inserted in a shirt pocket

## T2-M22

**Crocodile Garment Clip  
Assembled with Anti-Tilt  
Attachment.**

The optional Anti-Tilt Attachment, when fitted to the Crocodile Garment Clip, corrects the angle of the device allowing the attached device to be focused in the right direction. The Anti-Tilt Attachment can be easily removed if not required. Parts can either be supplied on their own / separately or supplied already assembled.



## T2-M10

### Screw-On Dock

Can be attached to various items including Ram-Mount fittings via four recessed mounting holes. (Ram-Mounts are not supplied).



## On request

### Dock with Leather-Covered Belt Clip

Allows fitting to belts and waistbands.



## On request

### Storage Dock

Storage dock can be attached by screws or the supplied adhesive pad.



## T2-M05

### 'Screw-To-Fit' Dock

Allows retro-fitting to existing clothing using four screws.



### T2-M06

#### Anti-Tilt Dock with Spring Clamp

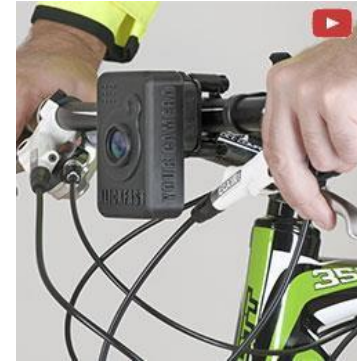
Fastens securely to shirt/suit pockets via spring clip. Anti-tilt block keeps device facing forward.



### T2-M08

#### Epaulette Dock

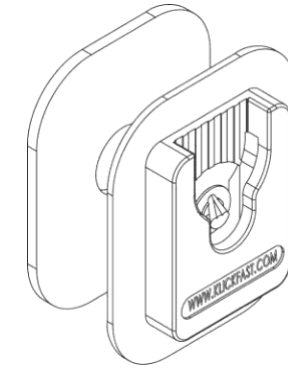
Allows the device to be hung from epaulettes. The dock loops over the epaulette and hooks onto a button or stud to secure it in place.



### T2-M17

#### Bicycle Mounted Dock

Adjustable to suit handlebars from 0.8 – 1.2 inch diameter. A rubber protection sleeve cushions a device from vibrations and protects the handlebars.



### On request

#### Stick-On Dock

Allows mounting to walls and to car dashboards via a self-adhesive pad.



### **T2-M09**

#### **MOLLE Dock**

Allows secure and easy attachment to any MOLLE loop system using webbing straps and two press-studs.



### **T2-M14**

#### **Tag Mounting Dock with 41mm Tongue Width**

Fits onto existing shirt or clothing loops. Can be supplied in various widths.



### **On request**

#### **Rucksack Mount Dock**

Allows attachment of a device to rucksack straps. Clips anywhere on the padded straps.



### **On request**

#### **Harness Dock**

Comes with two repositionable 'keepers' to allow attachment to either 1" or 2" wide webbing straps.

# KLICK FAST MOULDED BELT DOCK OPTIONS

Several KLICK FAST Moulded Belt Docks are available:



**On request**  
Dock to suit 32mm belt width.



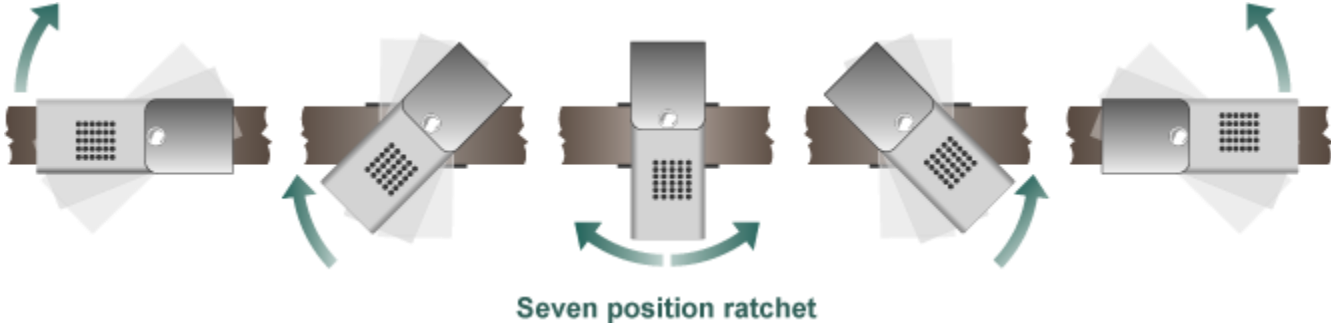
**On request**  
Dock to suit 38mm belt width.



**On request**  
Dock to suit 50mm belt width.



**On request**  
Dock to suit 60mm belt width.



Seven position ratchet



# KLICK FAST LEATHER BELT LOOP DOCKS



## On request

Dock on a 50mm leather belt loop that sits at belt level.



## On request

Dock on a 50mm leather belt loop that sits 50mm below belt level.



## On request

Dock on a 50mm leather belt loop that sits 100mm below belt level.



## **T2-M19**

Soft Leather Belt Loop with  
Velcro Attachment.

Fits up to 60mm wide belt.

---

# KLICK FAST CLIP-ON DOCK



Front View



Side View



Isometric View

## On request

### Clip-On Dock

- Allows quick, easy installation and removal of a KLICK FAST Dock to/from garment pockets, waistbands and belts;
- Device and dock can be detached/re-attached instantly without undocking/docking;
- Streamlined and compact;
- Made from robust, yet lightweight nylon;
- Can withstand automated decontamination processes;
- Converts a KLICK FAST to a belt clip.

# KLICK FAST BUTTONHOLE DOCK



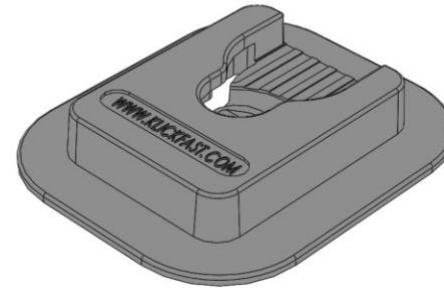
**T2-M23**  
Male version to suit  
male shirt specifications



**On request**  
Female version to suit  
female shirt specifications

This design is a **low profile** and **discreet** Dock using buttons as a means of attachment. The end user can determine the camera **height from the floor** utilising the two buttons used to fasten a standard button-down shirt.

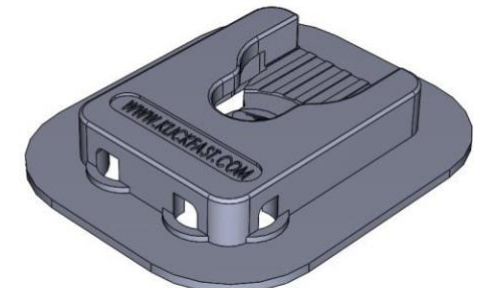
# KLICK FAST SEW-ON DOCK OPTIONS



## T2-M18

### Sew-On Dock

These docks can be sewn onto garments at the manufacturing stage to create a permanent fixing.



## On request

### Sew-On Dock with Slots for Lanyard Attachments

These docks can be sewn onto garments at the manufacturing stage to create a permanent fixing.



Both **T2-M18** and Sew-On Dock with Slots can be supplied in a variety of colours to match users' clothing (subject to quantity).



Black Sew-On Dock on a  
black shirt.



Black Sew-On Dock on a  
blue shirt.



Blue Sew-On Dock on a  
blue shirt.

# KLICK FAST HELMET RAIL MOUNT



## On request

**Dock for Picatinny Rail Adapter**  
Attaches to Picatinny Rail Adapter which can be supplied separately if not already included on the helmet rail.

DOCKHELMETPIC	
A	MACHINE SCREW
B	KLICKFAST DOCK



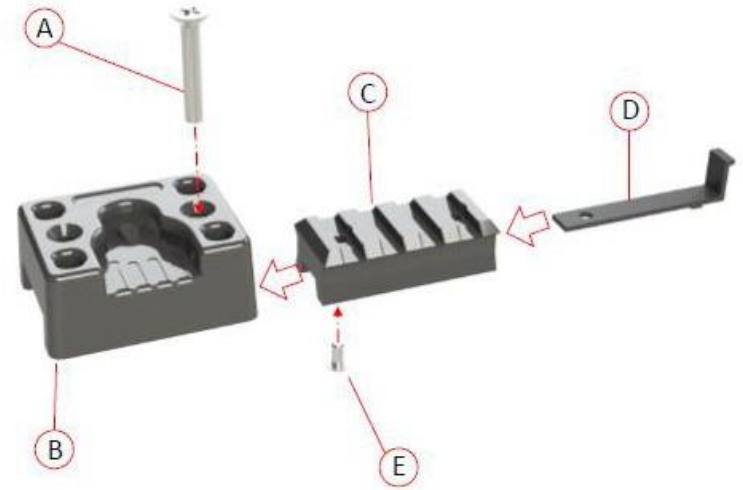
## On request

**Picatinny Rail Adapter Kit**  
For attaching to helmet rail.

PICRAILADAPTER	
C	PICATINNY RAIL ADAPTER
D	RETENTION
E	BUTTON HEAD SCREW



The kit (parts A and B) attach to the Picatinny Rail Adapter Kit (parts C, D and E) before the whole assembly is mounted on to the helmet rail. Slide assembly on to the helmet rail from the front.





# KLICK FAST HARNESS OPTIONS



## On request\*

### Utility Harness - Medium

Attaches to utility belt via two KLICK FAST Docks and a loop. Allows device to be mounted on either side via Docks attached to the adjustable down straps. Fits up to 50mm wide belt (other options available). Alternative sizes also available.



## T2-M11

### Chest Harness

Utility Harness for chest mounting of device. This harness is fully adjustable and features quick release fittings. Larger size available.



## On request\*

### Sam Browne Style Harness

Webbing shoulder strap with chest-mounted KLICK FAST Dock. Attaches to a utility belt via two KLICK FAST Docks. Fits up to 50mm wide belt (other options available).



## T2-M07

### Centre Chest Harness

Webbing straps slip over arms and shoulders, with Mounting Dock located at the centre of the chest. Larger size available.

*\*Belt not included but can be supplied separately if required.*



**On request\***

**Under Arm Holster**

Leather harness for covert mounting. Allows mounted device to be docked out of sight under a jacket. Fully adjustable with leather and elasticated straps. Attaches to a belt via a leather loop.



**On request**

**Centre Chest Harness**

Four-point Centre Chest Harness with KLIICK FAST. Larger size available.

*\*Belt not included but can be supplied separately, if required.*



**On request**

**Chest Harness**

New-style chest harness with straps over both arms and KCLICK FAST Dock mounted just below left shoulder. Fully adjustable



## T2-AC3

### Windshield mount

RAM Twist-Lock suction cup base is ideal for vehicle windshields and other nonporous surfaces. Includes B size medium length RAM double socket arm and diamond bases with B size 1" rubber balls; balls and socket technology allows for near infinite adjustability. Made of powder-coated, marine-grade aluminum and high-strength composite for durability and reliability in the most demanding environments.

---